



Flanged Orion control valve Type OR910 / USA-Type 9200



Features

- Control valve in sizes 1", 1,5" and 2"
- Globe cast body
- Maximum allowable pressure 50 bar
- Suitable for control of medium flow
- Flanges welded to the body
- Bonnet bolted with 4 screws

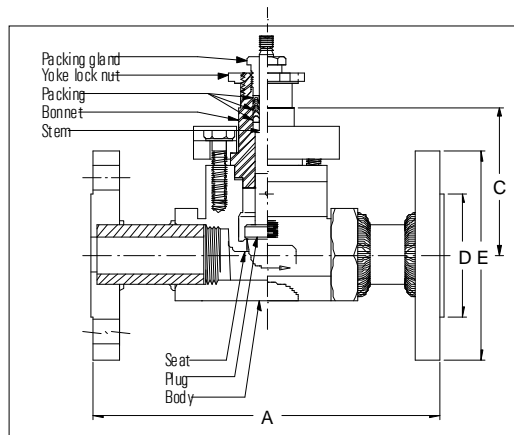
Applications

Suitable for control of liquids, gases or steam, in industrial applications. For any kind of precise control.

Options

- PTFE PFA soft seating
- Seat leakage Class 5 or 6
- Double packing
- Double packing with Purge Port
- Positioners, i/p-converters, filter regulators, limit switches, solenoid valves, gauges

Dimensions



Notes

- Below -29°C and above +260°C use optional 316 SS bonnet studs
- Maximum temperature for PTFE-Packing is 232°C
- Consider Grafoil packing or extended bonnet above 232°C
- Consider Stellite[®] above 316°C

Valve materials

Body	Bonnet
316 SS casting	316 SS
Alloy C	Alloy C 276

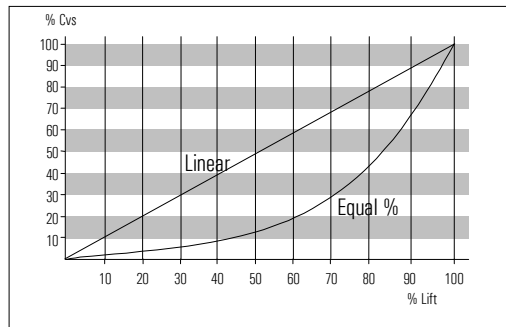
Innervalue materials

Plug	Seat
316 SS	316 SS
Alloy C 276	Alloy C 276
316 SS stellite ⁽¹⁾	316 SS stellite ⁽¹⁾

Gasket: Grafoil
Packing: PTFE- CV-rings, REK, Graphite

⁽¹⁾ Stellite[®] is a registered trademark of Deloro Stellite Holdings Corporation.

Innervalue characteristic



Pressure-temperature rating

	150#	300#	PN16	PN40
Temperature (°C)	Pressure (bar)	Pressure (bar)	Pressure (bar)	Pressure (bar)
20	19	50	16	40
100	16	42	14	37
200	13	36	13	33
300	10	32	12	29
400	6	29	11	28
500	2	26	10	27

Seat leakage

0.01% of Cvs

ANSI Class IV

Innervalue chart

Maximum allowable pressure drop (bar)

Nennweite	Sitzdurchm. (mm)	Sitzfläche (cm ²)	Kvs (linear)	Kvs (= %)	Schliessdruck	Betriebsdruck
Valve size	Port dia. (mm)	Port area (cm ²)	Cvs (linear)	Cvs (= %)	Shut Off Δp	Operation Δp
2"	38,1	11,4	25	20	20	10
2"	28,6	6,44	21	17	38	19
2"	20,6	3,35	15	14	50	37
2"	15,9	2	7	6,5	50	41
1,5"	28,6	6,44	15,5	13	31	15,5
1,5"	20,6	3,35	11	10	50	37
1,5"	15,9	2	7	6,5	50	41
1,5"	15,9	2	4	4,0	50	41
1"	20,6	3,35	8,3	7,0	50	37
1"	12,7	1,29	5,3	4,5	50	45,5
1"	12,7	1,29	2,0	2,0	50	45,5
1"	12,7	1,29	1,0	1,0	50	45,5
1"	3,96	0,13	0,5	0,5	50	50
1"	3,96	0,13	0,2	0,2	50	50
1"	3,96	0,13	0,1	0,1	50	50
1"	3,96	0,13	0,05	0,05	50	50
1"	3,96	0,13	0,02	-	50	50

Integral seat

Rangeability: Linear 50:1, Equal percent: 60:1

DN / PN	A	B	C	D	E	F
2" x 150#	254	76,2	92	152,4	28,7	19,02
2" x 300#	266,7	82,55	92	165,1	28,7	19,02
50 / 16	230	82,5	92	165	28,7	19,02
50 / 40	230	82,5	92	165	28,7	19,02
1,5" x 150#	222,25	63,5	88	127	28,7	19,02
1,5" x 300#	234,95	77,7	88	155,4	28,7	19,02
40 / 16	200	75	88	150	28,7	19,02
40 / 40	200	75	88	150	28,7	19,02
1" x 150#	184,15	54	82	108	28,7	19,02
1" x 300#	196,85	61,95	82	123,9	28,7	19,02
25 / 16	160	57,5	82	115	28,7	19,02
25 / 40	160	57,5	82	115	28,7	19,02

⁽¹⁾ Stellite® is a registered trademark of Deloro Stellite Holdings Corporation.