

Ultra High Pressure Valve Assembly

Type HP-40 (40,000 psia)

DESCRIPTION

The HP-40 is an ultra high pressure control valve using a tri-axially forged stainless steel body along with a solid Stellite innervalue assembly. The HP-40 can be used for both flow control as well as a Class IV shutoff valve. The versatility of the HP-40 creates a singular solution for your high pressure applications.

APPLICATION

The HP-40 valve is used in industrial applications, research and process pilot plants on liquids and gases. The main use is in high-pressure chemical injection, which is used in the production of high-pressure low density polyethylene (HPLDPE).

MATERIALS

Body	Tri-axially forged 316 stainless steel
Innervalue	Stellite® 6B (plug and seat)
Packing	Standard is Torlon®/PFA CV rings
Actuator	Painted carbon steel, nickel plated carbon steel and stainless steel

ACTUATOR CHOICES

Standard	Air-to-open, fail close Air-to-close, fail open
Effective Area	35 square inches
Standard Signals	3-15#, 3-27#, 6-30#, 22-45#*
Optional Signals	With positioner, 3-9#, 9-15#
Accessories	Filter regulator, gauges, I/P, limit switches, handwheel on standard unit, solenoids

*Positioner Required

OPTIONAL FEATURES

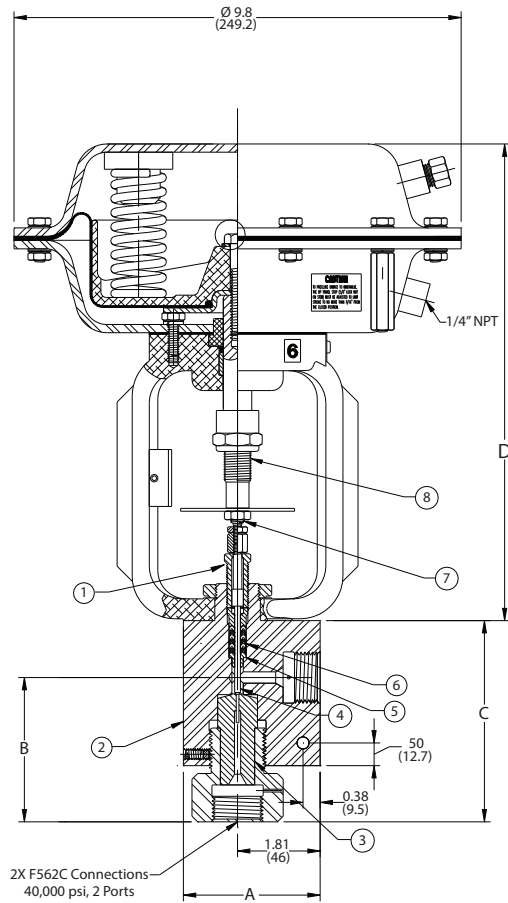
- Titanium Nitride-coated Stellite® innervalue
- Stainless steel actuator and hardware for explosion-proof requirements.



STANDARD FEATURES

- Wide range of interchangeable trims
- Choice of linear or quick opening trims
- ANSI Class III shutoff for sizes P-1 through P-9
- ANSI Class IV shutoff for sizes K through O
- Solid Stellite® innervalue
- 9/16 in. high-pressure cone and collar fittings (F562C)
- Pressure rating of 40,000 psia (2758 bar) @ 100° F (38° C)

DIMENSIONS



Items in Drawing

1	2	3	4
Packing set	Adapter	Seat	Innervalve
5	6	7	8
Body & Bonnet	Packing gland	Stem connector	Stem

Dimensions in Inches (mm)

PS	A	B	C	D	Stroke
1/4 inch	3.00 (76.2)	3.17 (80.6)	4.42 (112.3)	10.47 (266)	7/16 in.

TRIM CHART

Trim Size	Max. Cv	Orifice Dia. in. (mm)	Orifice Area (sq. in.)
I*	0.08	0.1000 (2.54)	0.0079
J*	0.05	0.1000 (2.54)	0.0079
K	0.03	0.0860 (2.18)	0.0058
L	0.02	0.0860 (2.18)	0.0058
M	0.01	0.0860 (2.18)	0.0058
N	0.006	0.0860 (2.18)	0.0058
O	0.003	0.0860 (2.18)	0.0058
P-1	0.002	0.0625 (1.59)	0.0031
P-2	0.0013	0.0625 (1.59)	0.0031
P-3	0.001	0.0625 (1.59)	0.0031
P-4	0.0006	0.0625 (1.59)	0.0031
P-5	0.0004	0.0625 (1.59)	0.0031
P-6	0.00027	0.0625 (1.59)	0.0031
P-7	0.00018	0.0625 (1.59)	0.0031
P-8	0.00012	0.0625 (1.59)	0.0031
P-9	0.00008	0.0625 (1.59)	0.0031

* Special order

Control. Manage. Optimize.

Research Control is a registered trademark of Badger Meter, Inc. Other trademarks appearing in this document are the property of their respective entities. Due to continuous research, product improvements and enhancements, Badger Meter reserves the right to change product or system specifications without notice, except to the extent an outstanding contractual obligation exists. © 2015 Badger Meter, Inc. All rights reserved.

www.badgermeter.com

The Americas | Badger Meter | 4545 West Brown Deer Rd | PO Box 245036 | Milwaukee, WI 53224-9536 | 800-876-3837 | 414-355-0400
 México | Badger Meter de las Americas, S.A. de C.V. | Pedro Luis Ogazón N°32 | Esq. Angelina N°24 | Colonia Guadalupe Inn | CP 01050 | México, DF | México | +52-55-5662-0882
 Europe, Middle East and Africa | Badger Meter Europa GmbH | Nurtinger Str 76 | 72639 Neuffen | Germany | +49-7025-9208-0
 Europe, Middle East Branch Office | Badger Meter Europe | PO Box 341442 | Dubai Silicon Oasis, Head Quarter Building, Wing C, Office #C209 | Dubai / UAE | +971-4-371 2503
 Czech Republic | Badger Meter Czech Republic s.r.o. | Maříkova 2082/26 | 621 00 Brno, Czech Republic | +420-5-41420411
 Slovakia | Badger Meter Slovakia s.r.o. | Racianska 109/B | 831 02 Bratislava, Slovakia | +421-2-44 63 83 01
 Asia Pacific | Badger Meter | 80 Marine Parade Rd | 21-06 Parkway Parade | Singapore 449269 | +65-63464836
 China | Badger Meter | 7-1202 | 99 Hangzhong Road | Minhang District | Shanghai | China 201101 | +86-21-5763 5412